



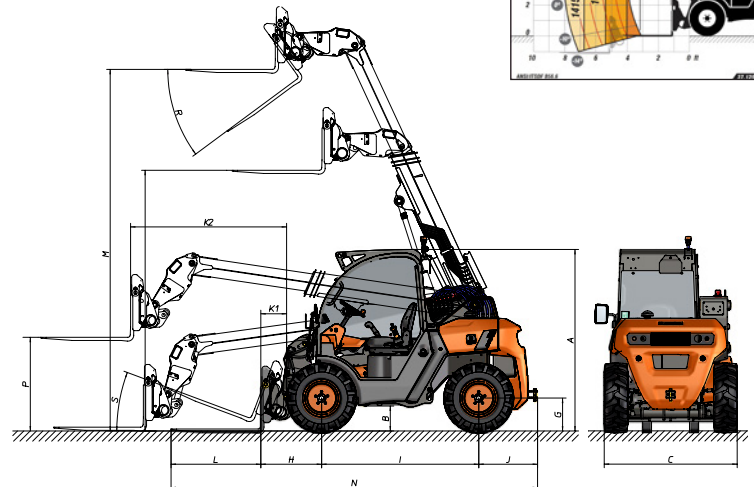
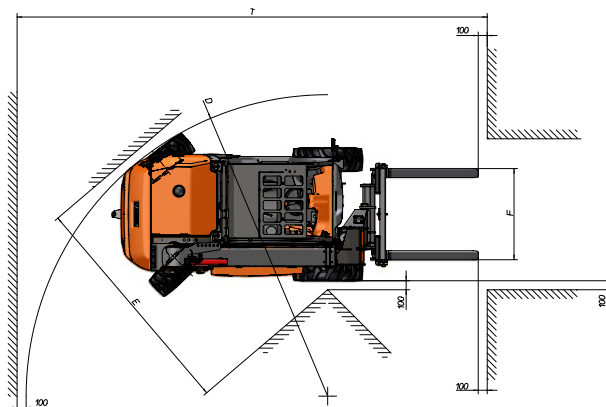
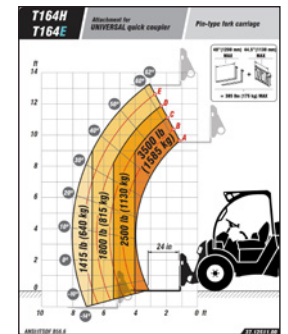
TECHNICAL DATA

GENERAL		T164E
Load capacity	lb	3,500
Load capacity at maximum height	lb	1,800
Maximum lift	ft	13.1
Maximum lift under maximum load	ft	10.8
Maximum reach	ft	5.7
Maximum load at maximum reach	lb	1,415
Unladen weight *	lb	7,430
Transmission	-	Hydrostatic
ENGINE		
Peak/Nominal power	hp	28.4/11.5
Peak torque	N.m	134
Emissions	-	Zero emissions
DRIVING		
Max. speed	mph	9.9
Maximum gradient	%	38
External turning radius	in	135
Traction	-	4X4 FullGrip®
Tires	-	10/75-15.3
HYDRAULIC SYSTEM		
Flow rate	gal/min	7.6
Working pressure	psi	3,045
Tank capacity	gal	8.7
BRAKES		
Service	-	Hydraulic and regenerative
Parking	-	Negative brake
BATTERY		
Battery type	-	Lithium-Ion Battery (NCM)
Gross capacity	kWh	15.5
System voltage	V	48
Autonomy ***	-	One intense shift
CHARGE		
Charger	-	Integrated
Charging time 20-80% **	-	3h 15min (@230V)
Charging time 20-80% (external fast charger) **	-	1h (@400V)
Charging cable plug type	-	16A 110V (yellow); 16A 230V (blue); 16A 400V (red)

* It may change due to optional equipment ** Subject to environmental conditions and to the kind and power of charging station.
 *** Subject to environmental conditions and the kind of use. For temperatures under 0°C it is recommended to fit the Long Range pack.

DIMENSIONS

Universal carriage



DIMENSIONS (in)		T164E	
A		80	
B		11	
C		58	
D		135	
E		100	
F		40	
G		14	
H		27	
I		69	
J		26	
K	11		68
L		39	
M		159	
N		161	
O		114	
P		43	
T		202	
DIMENSIONS (°)			
R		37	
S		20	



www.ausa.com

Products are subject to modifications without prior notice. Images throughout the spec sheet may refer to non-standard machines or non-available configurations depending on models.

AUSA's logo and corporate identity are property of the Company, they cannot be used without authorization.