



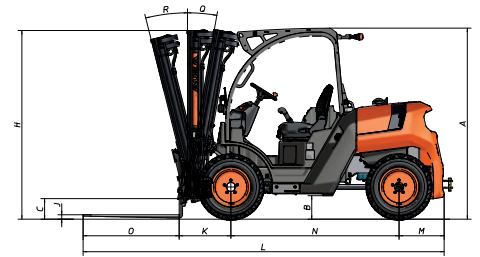
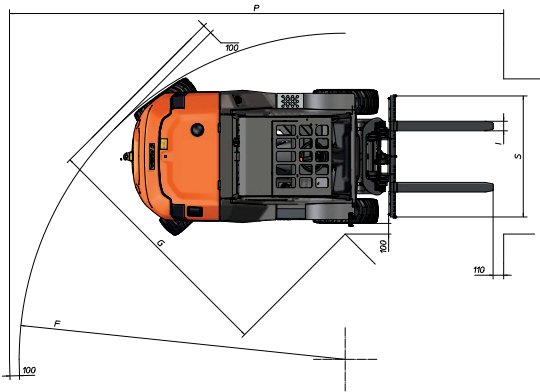
TECHNICAL DATA

GENERAL		C151H	C151H x4
Load capacity to 500 mm	kg	1500	1500
Load capacity to 600 mm	kg	1350	1350
Unladen weight *	kg	-	2750
Transmission	-	Hydrostatic	Hydrostatic
MAST			
Fork carriage	-	FEM IIB	FEM IIB
Carriage width	mm	1260	1260
ENGINE			
Make	-	KUBOTA	KUBOTA
Model	-	D1105	D1105
Power	kW	18,5	18,5
Operating speed	rpm	3000	3000
Torque	N·m@rpm	71,5@2200	71,5@2200
No. cylinders	-	3	3
Emissions	-	Stage V, Tier 4	Stage V, Tier 4
Ambient noise	dB(A)	103	103
DRIVING			
Max. speed	km/h	18	18
Gradability	%	32	33
Traction	-	4x2	4x4 FullGrip®
Front tyres	-	27x10.50-15	27x10.50-15
Rear tyres	-	7.00-12	27x10.50-15
HYDRAULIC SYSTEM			
Hydraulic circuit	-	Two gears pump	Two gears pump
Flow rate	l/min	34	34
Working pressure	bar	215	215
TANK CAPACITY			
Fuel	l	35	35
Hydraulic	l	40	40
BRAKES			
Service	-	Hydrostatic, retention	Hydrostatic, retention
Parking	-	Negative	Negative

* It may change due to optional equipment

DIMENSIONS

TYPE OF MAST	Maximum lift (mm)	H Retracted mast height (mm)	Extended mast height (mm)	Free lift (mm)	Load at maximum height @ 500 mm (kg) All-terrain use
Duplex mast (Std.)	2660	2040	3290	0	1500
Triplex mast	4000	1980	4670	1360	1200



DIMENSIONS (mm)	C151H	C151H x4
A	1975	1975
B	235	235
C	205	205
D	1315	1390
E	1390	1390
E*	-	-
F	2690	3380
G	2505	2550
I	100	100
J	35	35
K	535	535
L	3755	3755
M	470	470
N	1750	1750
O	1000	1000
P	4430	5120
S	1260	1260
S**	-	-
DIMENSIONS (°)		
Q	-	-
R	-	-

* Measured with high-lift mast installed

**Measured for wide axle carriage



www.ausa.com

Products are subject to modifications without prior notice. Images throughout the spec sheet may refer to non-standard machines or non-available configurations depending on models.

AUSA's logo and corporate identity are property of the Company, they cannot be used without authorization.