



## Articulated Dumper

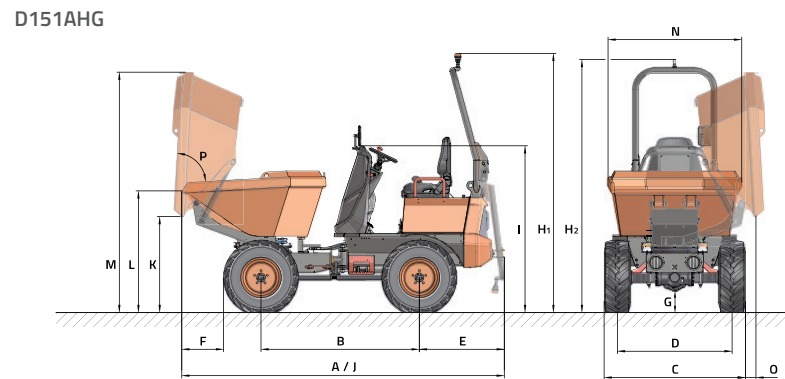
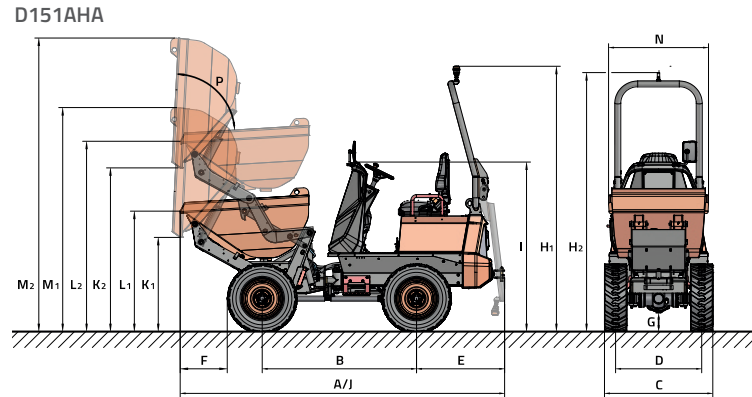
# D151AHA D151AHG



### TECHNICAL DATA

GENERAL		D151AHA	D151AHG
Unloading system	-	High tip	Swivel tip
Load capacity	lb	3,300	3,300
Chassis	-	Articulated	Articulated
Water hopper capacity	cu yd	0.79	0.68
Level hopper capacity	cu yd	0.89	0.82
Heaped hopper capacity	cu yd	1.10	1.18
Empty weight	lb	3,417	3,406
Transmission	-	Hydrostatic	Hydrostatic
ENGINE			
Brand	-	KUBOTA	KUBOTA
Model	-	D1105-E4B	D1105-E4B
Power	hp	20.6	20.6
Operating speed	rpm	2400	2400
Torque	N·m@rpm	70.3@1600	70.3@1600
No. of cylinders	-	3	3
Emissions	-	Stage V - EPA Tier 4	Stage V - EPA Tier 4
Noise	dB(A)	-	-
DRIVING			
Max. speed	mph	10	10
Maximum gradient	%	40	40
External turning radius	in	126	130
Traction	-	4WD	4WD
Tyres	-	255/75-15.3	255/75-15.3
HYDRAULIC SYSTEM			
Main pump	-	0.5 cu in gear pump	0.5 cu in gear pump
Flow rate	gal/min	5.5	5.5
Working pressure	psi	2,610	2,610
TANK CAPACITY			
Fuel	gal	9.9	9.9
Hydraulic system	gal	6.5	6.5
BRAKES			
Service	-	Hydrostatic, retention	Hydrostatic, retention
Parking	-	Negative brake and electro-hydraulic release	Negative brake and electro-hydraulic release

## DIMENSIONS



DIMENSIONS (in)	D151AHA		D151AHG	
A	128.3		132.3	
B	59.0		63.0	
C	58.2		58.2	
D	47.0		47.0	
E	36.8		36.8	
F	18.1		18.1	
G	8.6		8.6	
H	107.1	104.7	107.1	104.7
I	69.3		69.3	
J	128.3		132.3	
K	38.2	65.7	38.6	
L	48.8	76.4	49.6	
M	90.5	118.1	99.2	
N	55.1		55.1	
O	-		4.9	
<b>DIMENSIONS (°)</b>				
P	83		83	

1 ▲ | ▲ 2

1 ▲ | ▲ 2



[www.ausa.com](http://www.ausa.com)

Products are subject to modifications without prior notice. Images throughout the spec sheet may refer to non-standard machines or non-available configurations depending on models.

AUSA's logo and corporate identity are property of the Company, they cannot be used without authorization.