

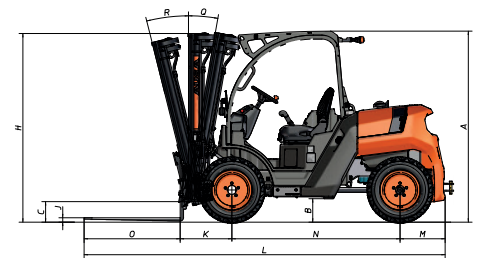
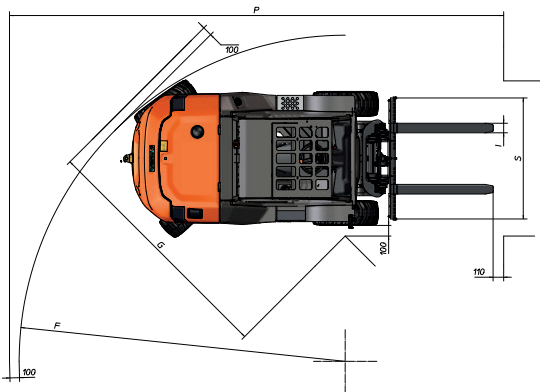

**TECHNICAL DATA**

<b>GENERAL</b>		<b>C151E</b>
Load capacity to 500 mm	kg	1500
Load capacity to 600 mm	kg	1350
Unladen weight *	kg	2740
Transmission	-	Electric
<b>MAST</b>		
Fork carriage	-	FEM IIB
Carriage width	mm	1260
<b>ENGINE</b>		
Peak/Nominal power	kW	19,6 / 7,6
Torque	N-m@rpm	130
Emissions	-	Zero emissions
<b>DRIVING</b>		
Max. speed	km/h	16
Gradability	%	33
Traction	-	4x4 FullGrip®
Front tyres	-	27x10.50-15
Rear tyres	-	27x10.50-15
<b>HYDRAULIC SYSTEM</b>		
Hydraulic circuit	-	Two gears pump
Flow rate	l/min	34
Working pressure	bar	215
Tank capacity	l	40
<b>BRAKES</b>		
Service	-	Sealed. Hydraulic drive
Parking	-	Negative, electric release
<b>BATTERY</b>		
Battery type	-	Lithium-Ion Battery (NCM)
Gross capacity	kWh	15,5
System voltage	V	48
Autonomy ***	-	One intense shift
<b>CHARGE</b>		
Charger	-	Integrated
Charging time 20-80% **	-	3 h 15 min (@230 V)
Charging time 20-80% (external fast charger) **	-	1 h (@400 V)
Charging cable plug type	-	110V (yellow); 230V (blue); 400V (red)

\* It may change due to optional equipment \*\* Subject to environmental conditions and to the kind and power of charging station.  
 \*\*\* Subject to environmental conditions and the kind of use. For temperatures under 0°C it is recommended to fit the Long Range pack.

## DIMENSIONS

TYPE OF MAST	Maximum lift (mm)	H Retracted mast height (mm)	Extended mast height (mm)	Free lift (mm)	Load at maximum height @ 500 mm (kg) All-terrain use
Duplex mast (Std.)	2660	2040	3290	0	1500
Triplex mast	4000	1980	4670	1360	1200



DIMENSIONS (mm)	C151E
A	1975
B	235
C	205
D	1390
E	1390
E*	-
F	3380
G	2550
I	100
J	35
K	535
L	3755
M	470
N	1750
O	1000
P	5120
S	1260
S**	-
DIMENSIONS (°)	
Q	-
R	-



[www.ausa.com](http://www.ausa.com)

Los materiales y especificaciones pueden estar sujetos a cambios sin previo aviso. Las imágenes pueden incluir equipamientos no estándar o no disponibles según las versiones.

El logotipo y la identidad corporativa, son propiedad de AUSA y no pueden utilizarse sin su autorización.