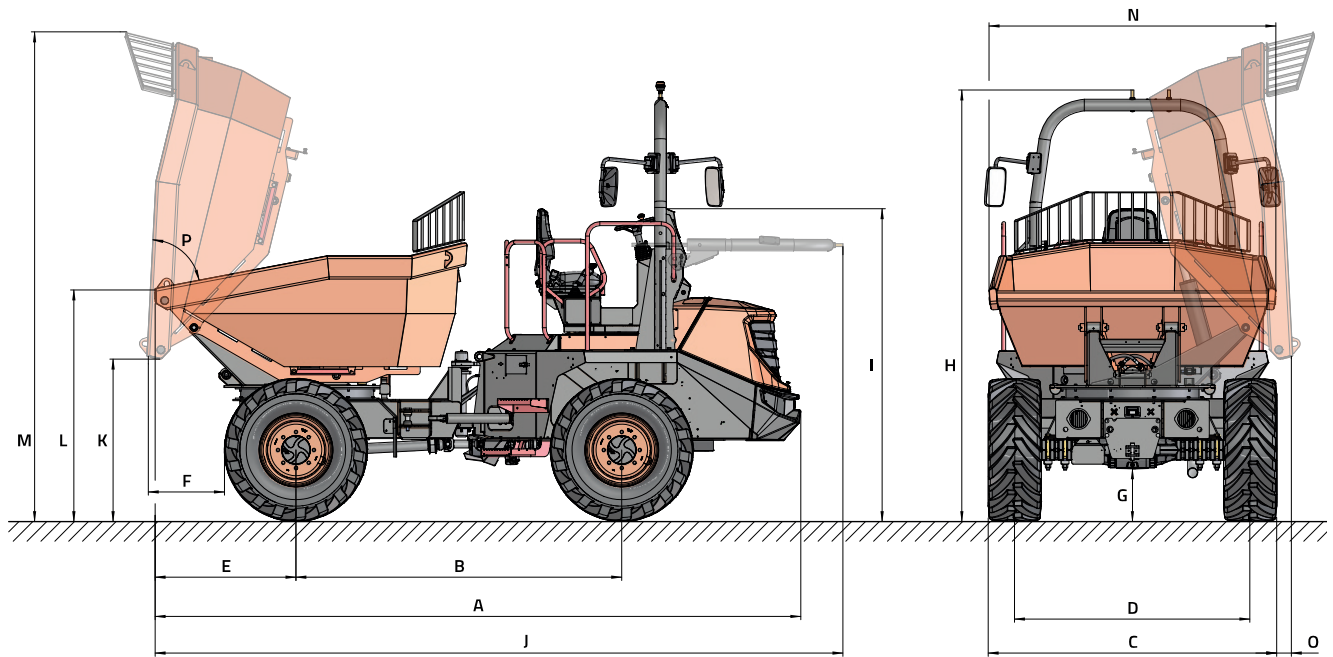




TECHNICAL DATA

GENERAL		DR602AHG
Unloading system	-	Rotating
Load capacity	kg	6000
Chassis	-	Articulated
Water hopper capacity	l	1665
Level hopper capacity	l	2455
Heaped hopper capacity	l	3154
Empty weight	kg	4223
Transmission	-	Hydrostatic
ENGINE		
Brand	-	DEUTZ
Model	-	TD2.9 L4
Power	kW	55,4
Operating speed	rpm	2200
Torque	N-m@rpm	320@1600
No. of cylinders	-	4
Emissions	-	Stage V
Injection	-	Common Rail and electronic management
Exhaust aftertreatment	-	DPF (Diesel particulate filter)
Noise	dB(A)	101
DRIVING		
Max. speed	km/h	25
Maximum gradient	%	49
External turning radius	mm	5900
Traction	-	4x4
Tyres	-	405/70-20
HYDRAULIC SYSTEM		
Hydraulic circuit	-	Gear pump
Flow rate	l/min	50
Working pressure	bar	180
TANK CAPACITY		
Fuel	l	60
Hydraulic system	l	56
BRAKES		
Service	-	Sealed brakes. Hydraulic drive
Parking	-	Negative brake and electro-hydraulic release

DIMENSIONS



DIMENSIONS (mm)	DR602AHG
A	4940
B	2490
C	2210
D	1800
E	1080
F	580
G	400
H	3300
I	2400
J	5260
K	1210
L	1740
M	3750
N	2200
O	110
DIMENSIONS (°)	
P	75



www.ausa.com

Products are subject to modifications without prior notice. Images throughout the spec sheet may refer to non-standard machines or non-available configurations depending on models.

AUSA's logo and corporate identity are property of the Company, they cannot be used without authorization.