



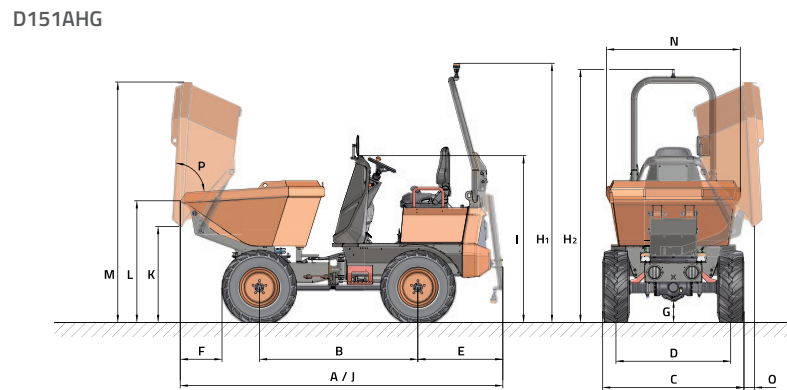
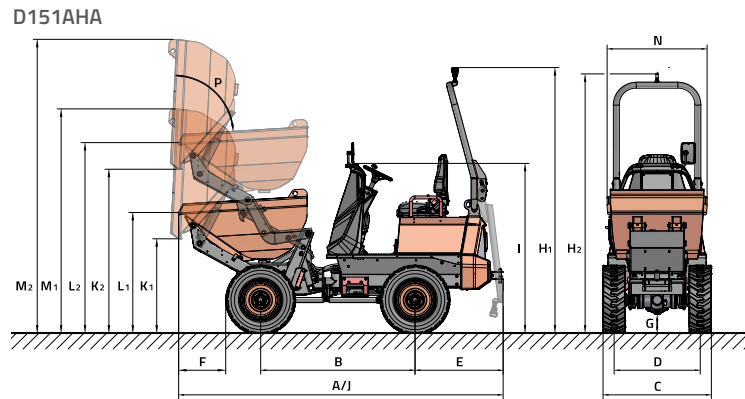
**D151AHA**  
**D151AHG**



TECHNICAL DATA

GENERAL		D151AHA	D151AHG
Unloading system	-	High	Rotating
Load capacity	Kg	1500	1500
Chassis	-	Articulated and oscillating	Articulated and oscillating
Water hopper capacity	l	605	520
Level hopper capacity	l	681	626
Heaped hopper capacity	l	841	900
Empty weight	Kg	1550	1545
Transmission	-	Hydrostatic	Hydrostatic
ENGINE			
Brand	-	KUBOTA	KUBOTA
Model	-	D1105-E4B	D1105-E4B
Power	kW	15.4	15.4
Operating speed	rpm	2400	2400
Torque	N·m@rpm	70.3@1600	70.3@1600
No. of cylinders	-	3	3
Emissions	-	Stage V - EPA Tier4	Stage V - EPA Tier4
Noise	dB(A)	-	-
DRIVING			
Max. speed	Km/h	16	16
Maximum gradient	%	40	40
External turning radius	mm	3200	3300
Traction	-	4x4	4x4
Tyres	-	255/75-15.3	255/75-15.3
HYDRAULIC SYSTEM			
Hydraulic circuit	-	8 cc gear pump	8 cc gear pump
Flow rate	l/min	21	21
Working pressure	bar	180	180
TANK CAPACITY			
Fuel	l	37,5	37,5
Hydraulic system	l	24.5	24.5
BRAKES			
Service	-	Hydrostatic, retention	Hydrostatic, retention
Parking	-	Negative brake and electro-hydraulic release	Negative brake and electro-hydraulic release

# DIMENSIONS



DIMENSIONS (mm)	D151AHA		D151AHG	
A	3260		3360	
B	1500		1600	
C	1480		1480	
D	1195		1195	
E	935		935	
F	460		460	
G	220		220	
H	2720	2660	2720	2660
I	1760		1760	
J	3260		3360	
K	970	1670	980	
L	1240	1940	1260	
M	2300	3000	2520	
N	1400		1400	
O	-		125	
<b>DIMENSIONS (°)</b>				
P	83		83	

1 ▲ | ▲ 2

1 ▲ | ▲ 2



[www.ausa.com](http://www.ausa.com)

Products are subject to modifications without prior notice. Images throughout the spec sheet may refer to non-standard machines or non-available configurations depending on models.

AUSA's logo and corporate identity are property of the Company, they cannot be used without authorization.