

# ARTICULATED DUMPERS

From 2,200 to 22,000 lb payload. Tough, compact and efficient







**2,200, 2,600, 3,300 lb**  
From 0.74 to 1.18 cu yd heaped hopper capacity

**4**

- D100AHA | D100AHA COMPACT | D100AHG
- D120AHA | D120AHG
- D150AHA | D150AHG



**4,400, 6,600, 7,700, 9,900 lb**  
From 1.75 to 3.49 cu yd heaped hopper capacity

**8**

- D201AHG
- D301AHG
- D350AHG
- D450AHG



**13,200, 22,000 lb**  
From 4.13 to 5.10 cu yd heaped hopper capacity

**12**

- D601AHG | D601APG
- D1001APG



**13,200, 22,000 lb - REVERSIBLES**  
From 4.13 to 5.10 cu yd heaped hopper capacity

**16**

- DR601AHG
- DR1001AHG



**2,200 - 3,300 lb ELECTRIC**  
From 0.74 to 1.18 cu yd heaped hopper capacity

**20**

- D101AEA | D101AEA COMPACT
- D151AEG

**AUSAnow 24**

**Technical data 26**

**Dimensions 32**

**Equipment 34**

Images throughout the catalog may refer to non-standard machines. Products are subject to modifications without prior notice.



# ARTICULATED DUMPERS

## 2,200 - 2,600 - 3,300 lb

AUSA's most compact range of dumpers, available with three different payloads and they can be configured with a high-tipping skip or a swing skip.

These models are perfect for municipal works, landscaping projects, small demolitions, or any applications that require highly maneuverable vehicles that are extremely compact in size.

Thanks to their permanent 4WD, they can handle narrow terrain and steep slopes.



### FEATURED EQUIPMENT

**Folding ROPS** for ease of transportation. **Spacious driver's position** for comfortable and safe handling. **Rotating beacon** for increased visibility on the jobsite. **Hydrostatic transmission** to ensure smooth and safe operation for the user. **Easy-to-access components** to reduce downtime for maintenance. **Ergonomic joystick** that controls the movements of the skip and the transmission. **Axles with final epicyclic gearing** that provides improved traction.





**D100AHA 2,200 lb**  
UNLOADING SYSTEM HIGH  
POWER 20.9 hp WIDTH 43.3 in TRANSMISSION HYDROSTATIC



**D100AHA COMPACT 2,200 lb**  
UNLOADING SYSTEM HIGH  
POWER 20.9 hp WIDTH 39.4 in TRANSMISSION HYDROSTATIC



**D100AHG 2,200 lb**  
UNLOADING SYSTEM ROTATING  
POWER 20.9 hp WIDTH 43.3 in TRANSMISSION HYDROSTATIC



**D120AHA 2,600 lb**  
UNLOADING SYSTEM HIGH  
POWER 20.9 hp WIDTH 47.6 in TRANSMISSION HYDROSTATIC



**D120AHG 2,600 lb**  
UNLOADING SYSTEM ROTATING  
POWER 20.9 hp WIDTH 47.6 in TRANSMISSION HYDROSTATIC



**D150AHA 3,300 lb**  
UNLOADING SYSTEM HIGH  
POWER 20.9 hp WIDTH 58.3 in TRANSMISSION HYDROSTATIC



**D150AHG 3,300 lb**  
UNLOADING SYSTEM ROTATING  
POWER 20.9 hp WIDTH 58.3 in TRANSMISSION HYDROSTATIC





# ARTICULATED DUMPERS

**4,400 - 6,600 - 7,700 - 9,900 lb**

Dumpers designed for major earthworks in urban and intercity environments settings or in private residential areas. They have an excellent power-to-weight ratio, making them maneuverable and allowing them to easily tackle with steep slopes.

All components have been designed to ensure quick and simple maintenance with minimal downtime.



## FEATURED EQUIPMENT

**Folding ROPS** for ease of transportation. **Spacious driver's position** for comfortable and safe handling. **Hydrostatic transmission** to ensure smooth and safe operation for the user. **Easy-to-access components** to reduce downtime for maintenance. **Ergonomic joystick** that controls the movements of the skip and the transmission. **Seat belt with a buckle sensor and seat with presence sensor** to prevent the machine from being used without following the minimum safety procedures. **Negative brake** which is automatically engaged when the engine is turned off.





**D201AHG 4,400 lb**  
UNLOADING SYSTEM ROTATING  
POWER 24.8 hp WIDTH 59 in TRANSMISSION HYDROSTATIC



**D301AHG 6,600 lb**  
UNLOADING SYSTEM ROTATING  
POWER 24.8 hp WIDTH 68.9 in TRANSMISSION HYDROSTATIC



**D350AHG 7,700 lb**  
UNLOADING SYSTEM ROTATING  
POWER 44 hp WIDTH 72.8 in TRANSMISSION HYDROSTATIC



**D450AHG 9,900 lb**  
UNLOADING SYSTEM ROTATING  
POWER 44 hp WIDTH 73.6 in TRANSMISSION HYDROSTATIC



# ARTICULATED DUMPERS

## 13,200 - 22,000 lb

Our range of dumpers with the highest payloads are designed for large-scale earthworks, especially on intercity construction sites and in open spaces. These are powerful and robust models that are equipped with the latest technology to minimize fuel consumption.

They also have a digital display in the driver's cab which provides all of the machine's real-time information, allowing you to run self-diagnostics without the need for any external tools.



### FEATURED EQUIPMENT

**Digital screen** to access machine information and on board diagnostics. **Smart Stop** (optional), which switches off the machine's engine when it is not in use, to reduce running cost. **Easy-to-access internal components** to reduce costs and facilitate maintenance. **The limited-slip differential** on both axles offers market-leading off-road drive capabilities. **Seat belt with a buckle sensor and seat with presence sensor** to prevent the machine from being used without following the minimum safety procedures. **Negative brake** which is automatically engaged when the engine is turned off. **Camera with 360 degree vision** on the skip.





**D601AHG 13,200 lb**  
**UNLOADING SYSTEM** ROTATING  
**POWER** 74.3 hp **WIDTH** 87 in **TRANSMISSION** HYDROSTATIC



**D601APG 13,200 lb**  
**UNLOADING SYSTEM** ROTATING  
**POWER** 74.3 hp **WIDTH** 87 in **TRANSMISSION** TORQUE CONVERTER



**D1001APG 22,000 lb**  
**UNLOADING SYSTEM** ROTATING  
**POWER** 74.3 hp **WIDTH** 94.9 in **TRANSMISSION** TORQUE CONVERTER



# REVERSIBLE DUMPERS

**13,200 - 22,000 lb**

The reversible design allows the entire driver's cab to turn 180°: seat, steering wheel, pedals, joystick...giving the operator a clear view of their surroundings at all times. This system also allows you to always use front-wheel drive, thus reducing the number of maneuvers and increasing load-moving speed.

AUSA's reversible dumpers are equipped with the latest technology to reduce fuel consumption and improve the safety of the operator and area around them.

## FEATURED EQUIPMENT

**Access to the driving position** on both sides of the machine. **ECO Mode** to automatically regulate the RPM to ensure low consumption and reduced maintenance costs. **Digital screen** with all of the information about the machine and self-diagnostics. **Hill holder**, which keeps the machine stationary on any slope, without putting your foot on the brake. **The limited-slip differential** on both axles offers market-leading off road drive capabilities. **Smart Stop**, which switches off the machine's engine when it is not in use, to make it more cost-effective. **Negative brake** which is automatically engaged when the engine is turned off. **Camera with 360 degree vision** on the skip.







**DR601AHG** 13,200 lb  
UNLOADING SYSTEM ROTATING  
POWER 74.3 hp WIDTH 87 in TRANSMISSION HYDROSTATIC



**DR1001AHG** 22,000 lb  
UNLOADING SYSTEM ROTATING  
POWER 74.3 hp WIDTH 94.9 in TRANSMISSION HYDROSTATIC



# ELECTRIC DUMPER

## 2,200 - 3,300 lb

Electric power for the whole day. AUSA's electric dumpers have been designed with an operating range to complete a busy working day without needing to be recharged.

With the charging cable built into the machine, they can be connected directly to the mains via a 110 V or 230 V socket or a 415 V socket with a fast charger.

Thanks to their minimal noise emissions, they can be used in a wider range of applications than traditional dumpers, and in works that are carried out at night.

The li-ion battery pack is controlled electronically to deliver smooth maximum power and all-terrain performance that matches diesel vehicles.



### FEATURED EQUIPMENT

**Charging cable** in the vehicle, so it can be plugged in at any time. **Folding ROPS roll bar** to make it easier to transport. **Driving position with plenty of space** for comfortable and safe driving. **Digital screen** to access machine information and on board diagnostics. **Hill holder**, which keeps the machine stationary on any slope, without putting your foot on the brake. **Easy-to-access components** to reduce downtime for maintenance. **Ergonomic joystick** that controls the skip movements and the transmission. **Seat belt with a buckle sensor and seat with presence sensor** to prevent the machine from being used without following the minimum safety procedures. **Negative brake** that is applied automatically when the motor stops. **Energy recovery system** that increases the battery range.





Battery type  
**Li-Ion**

Battery capacity  
**Up to 12,4 kWh**

Charging from  
20 to 80%  
**2 h\***

*\*Subject to environmental conditions and to the kind and power of charging station.*



**D101AEA 2,200 lb**  
UNLOADING SYSTEM HIGH  
POWER 26.3 hp WIDTH 42.6 in TRANSMISSION ELECTRIC



**D101AEA COMPACT 2,200 lb**  
UNLOADING SYSTEM HIGH  
POWER 26.3 hp WIDTH 39.4 in TRANSMISSION ELECTRIC



**D151AEG 3,300 lb**  
UNLOADING SYSTEM ROTATING  
POWER 26.3 hp WIDTH 58.3 in TRANSMISSION ELECTRIC



All AUSA dumpers can be equipped with AUSAnow, the software used to remotely control machines, providing you with all real-time information.



### Control your fleet of machines

From your office or with your mobile phone. Control all of your AUSA machines in real time. With AUSAnow you can anticipate any faults and maintenance, to reduce downtime.



### Get information and make decisions

View or create your own personalised charts to obtain in-depth information about the operation of your machines and make decisions that are based on analytical information.



### Connect security alarms

Establish a schedule and security perimeter. If one of your machines is moved outside the established area, AUSAnow will alert you straight away so that you can deal with it.



### Data, data and more data

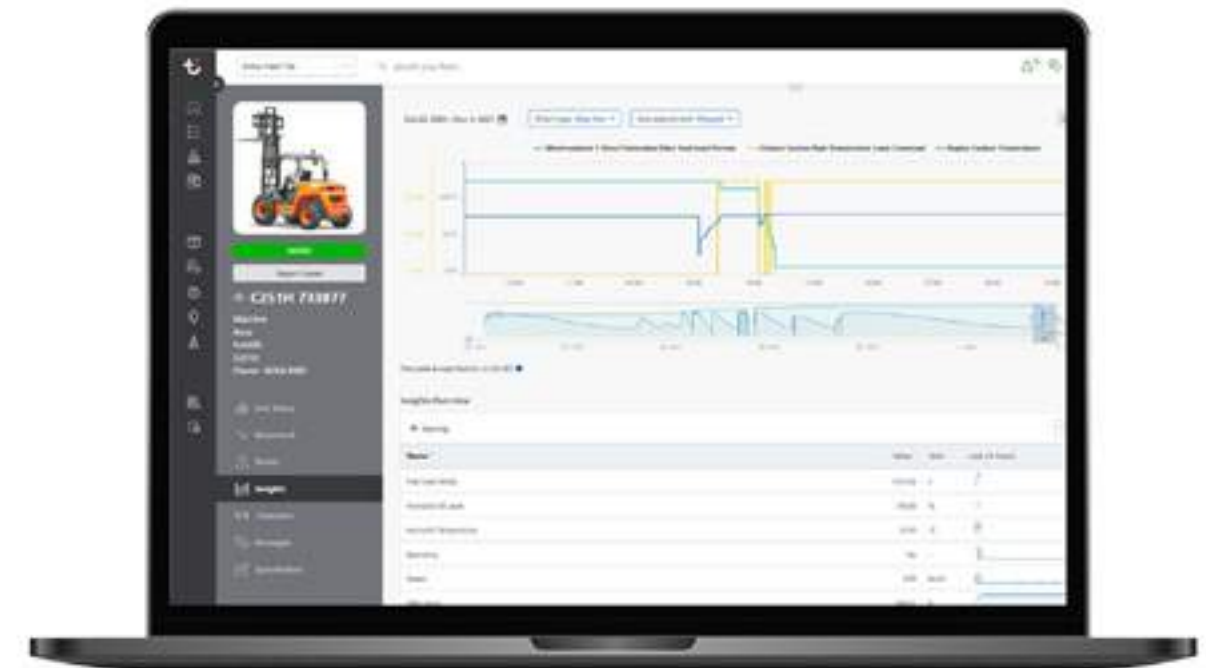
AUSAnow allows you to obtain advanced real-time information about your machine fleet. View advanced charts for customized time periods based on the parameters set by you.



### Reduce downtime

AUSAnow connects you to your dealer or rental company, so that any appropriate maintenance can be performed. If you have a problem, AUSAnow provides you with a direct channel of communication with your machine vendor, so that it can be resolved as quickly as possible.

- Preventive alerts
- Attach images



### Alarms for your peace of mind

Activate AUSA's recommended maintenance alerts and keep your machines in optimal condition. And, for your security, you can program geofences and receive alerts if they go outside the established boundaries.

- Customize a schedule
- Set a perimeter



# TECHNICAL DATA

## TECHNICAL DATA

		D101AEA / COMPACT	D151AEG
<b>GENERAL</b>		<b>UNIT</b>	
Unloading system	-	High	Rotating
Load capacity	lb	2,200	3,300
Chassis	-	Articulated	
Water hopper capacity	cu yd	0.45	0.68
Level hopper capacity	cu yd	0.51	0.82
Heaped hopper capacity	cu yd	0.73	1.18
Empty weight *	lb	3,152	3,373
Transmission	-	Electric	
Reversibility	-	No	
<b>ENGINE</b>			
Brand / Model	-	-	
Power	hp	-	
Peak/Nominal power	hp	26.3 / 10.2	
Operating speed	rpm	-	
Peak torque	N.m	130	
No. of cylinders	-	-	
Emissions	-	Zero emissions	
Noise	dB(A)	-	
<b>DRIVING</b>			
Max. speed	mph	8.7	
Maximum gradient	%	35	
External turning radius	in	121.2	133.4
Traction	-	4WD	
Tires	-	27x8.50-15 / 6.5/80-12	10.0/75-15.3
<b>HYDRAULIC SYSTEM</b>			
Hydraulic circuit	-	0.73 cu in. Gear pump	
Flow rate	gal/min	6	
Working pressure	psi	2,610	
<b>TANK CAPACITY</b>			
Fuel	gal	-	
Hydraulic system	gal	6,5	
<b>BRAKES</b>			
Service	-	Sealed. Hydraulic drive	
Parking	-	Negative brake and electro-hydraulic release	
<b>BATTERY</b>			
Battery type	-	Lithium-Ion Battery (NCM)	
Gross capacity	kWh	9.3	
System voltage	V	51.2	
Autonomy	-	One intense shift ***	
<b>CHARGE</b>			
Charger	-	Integrated	
Charging time 20-80%	-	2h (@230V) **	
Charging time 20-80% (external fast charger)	-	1h (@400V) **	
Charging cable plug type	-	16A 110V (yellow); 16A 230V (blue); 16A 400V (red)	

		D100AHA / COMPACT	D100AHG	D120AHA	D120AHG
		High	Rotating	High	Rotating
		2,200	2,200	2,600	2,600
		Articulated			
		0.45	0.43	0.56	0.54
		0.52	0.51	0.67	0.65
		0.74	0.71	0.92	0.91
		2,866	2,866	3,031	3,031
		Hydrostatic			
		No			
		KUBOTA D1105-E4B			
		20.9			
		-			
		2,400			
		71.4@1,600			
		3			
		Tier 4			
		101			
		9.3	9.3	10.5	10.5
		38	38	48	48
		120.5	119.5	123	121.8
		4WD	4WD	4WD	4WD
		27x8.5-15 / 6.5/80-12	27x8.5-15	10.0/75-15.3	10.0/75-15.3
		0.49 cu in. Gear pump			
		4.5			
		2,610			
		6.1			
		5.6			
		Sealed. Mechanical drive			
		Mechanical drive			
		-			
		-			
		-			
		-			
		-			
		-			

\* It may change due to optional equipment. \*\* Subject to environmental conditions and to the kind and power of charging station. \*\*\* Subject to environmental conditions and the kind of use. For temperatures under 32°F it is recommended to fit the Long Range pack.



# TECHNICAL DATA

## TECHNICAL DATA

		D150AHA	D150AHG
<b>GENERAL</b>			
Unloading system	-	High	Rotating
Load capacity	lb	3,300	3,300
Chassis	-	Articulated	
Water hopper capacity	cu yd	0.79	0.68
Level hopper capacity	cu yd	0.89	0.82
Heaped hopper capacity	cu yd	1.10	1.18
Empty weight	lb	3,329	3,329
Transmission	-	Hydrostatic	
Reversibility	-	No	
<b>ENGINE</b>			
Brand / Model	-	KUBOTA D1105-E4B	
Power	hp	20.9	
Operating speed	rpm	2,400	
Torque	N-m	71.4@1,600	
No. of cylinders	-	3	
Emissions	-	Tier 4	
Injection	-	Mechanical pump	
Exhaust aftertreatment	-	-	
Noise	dB(A)	101	
<b>DRIVING</b>			
Max. speed	mph	8.7	8.7
Maximum gradient	%	40	40
External turning radius	in	128.3	128.3
Traction	-	4WD	4WD
Tires	-	10.0/75-15.3	10.0/75-15.3
<b>HYDRAULIC SYSTEM</b>			
Hydraulic circuit	-	0.49 cu in. Gear pump	
Flow rate	gal/min	4.5	4.5
Working pressure	psi	2,610	2,610
<b>TANK CAPACITY</b>			
Fuel	gal	6.1	6.1
Hydraulic system	gal	5.6	5.6
<b>BRAKES</b>			
Service	-	Sealed. Mechanical drive	
Parking	-	Mechanical drive	

		D201AHG	D301AHG	D350AHG	D450AHG
<b>GENERAL</b>					
Unloading system	-	Rotating			
Load capacity	lb	4,400	6,600	7,700	9,900
Chassis	-	Articulated			
Water hopper capacity	cu yd	0.91	1.28	1.33	1.79
Level hopper capacity	cu yd	1.42	1.72	2.34	2.68
Heaped hopper capacity	cu yd	1.75	2.28	2.79	3.49
Empty weight	lb	4,592	5,070	6,241	6,547
Transmission	-	Hydrostatic			
Reversibility	-	No			
<b>ENGINE</b>					
Brand / Model	-	KUBOTA V1505-E4B		KUBOTA D1803-CR-T-E5B	
Power	hp	24.8		44	
Operating speed	rpm	2,300		2,400	
Torque	N-m	92.6@1,700		150.5@1,500	
No. of cylinders	-	3		3	
Emissions	-	Tier 4		Tier 4f	
Injection	-	Mechanical pump		Common Rail and electronic management	
Exhaust aftertreatment	-	-		DPF (Diesel particulate filter)	
Noise	dB(A)	101		101	
<b>DRIVING</b>					
Max. speed	mph	10.5	10.5	11.8	13.6
Maximum gradient	%	50	50	54	54
External turning radius	in	155.7	155.7	177.7	190.1
Traction	-	4x4	4WD	4WD	4WD
Tires	-	11.5/80-15.3	11.5/80-15.3	11.5/80-15.3	11.5/80-15.3
<b>HYDRAULIC SYSTEM</b>					
Hydraulic circuit	-	0.73 cu in. Gear pump			
Flow rate	gal/min	6.6	6.6	7	7
Working pressure	psi	2,538	2,538	2,465	2,900
<b>TANK CAPACITY</b>					
Fuel	gal	9.9	9.9	11.6	11.6
Hydraulic system	gal	9.8	9.8	10.5	10.5
<b>BRAKES</b>					
Service	-	Hydrostatic, retention		Sealed. Hydraulic drive	
Parking	-	Negative, integrated in the transfer box		Negative brake and electro-hydraulic release	



# TECHNICAL DATA

## TECHNICAL DATA

		D601AHG	D601APG
<b>GENERAL</b>			
	<b>UNIT</b>		
Unloading system	-	Rotating	Rotating
Load capacity	lb	13,200	13,200
Chassis	-	Articulated	
Water hopper capacity	cu yd	2.18	2.18
Level hopper capacity	cu yd	3.21	3.21
Heaped hopper capacity	cu yd	4.13	4.13
Empty weight	lb	9,898	10,353
Transmission	-	Hydrostatic	Torque converter
Reversibility	-	No	
<b>ENGINE</b>			
Brand / Model	-	DEUTZ TD3.6 L4	
Power	hp	74.3	
Operating speed	rpm	2,200	
Torque	N-m	330@1,600	
No. of cylinders	-	4	
Emissions	-	Tier 4f	
Injection	-	Common Rail	
Exhaust aftertreatment	-	DOC (Diesel oxidation catalyst)	
Noise	dB(A)	101	
<b>DRIVING</b>			
Max. speed	mph	15.5	15.5
Maximum gradient	%	45	45
External turning radius	in	232.3	232.3
Traction	-	4WD	4WD
Tires	-	405/70-20	405/70-20
<b>HYDRAULIC SYSTEM</b>			
Hydraulic circuit	-	1.4-1.4 cu in. Two gear pump	
Flow rate	gal/min	13.2	12.1
Working pressure	psi	2,610	2,610
<b>TANK CAPACITY</b>			
Fuel	gal	18.2	18.2
Hydraulic system	gal	15.8	15.8
<b>BRAKES</b>			
Service	-	Sealed. Hydraulic drive	
Parking	-	Negative brake and electro-hydraulic release	

		D1001APG	DR601AHG	DR1001AHG
<b>GENERAL</b>				
			Rotating	
		22,000	13,200	22,000
			Articulated	
		2.42	2.18	2.42
		4.32	3.21	4.32
		5.10	4.13	5.10
		11,431	10,648	11,133
		Torque converter	Hydrostatic	
		No	Yes	
<b>ENGINE</b>				
		DEUTZ TCD3.6 L4 HT	DEUTZ TD3.6 L4	DEUTZ TCD3.6 L4 HT
		74.3	74.3	74.3
		2,200	2,200	2,200
		390@1,300	330@1,600	390@1,300
		4	4	4
		Tier 4f	Tier 4	Tier 4
		Common Rail	Common Rail and electronic management	Common Rail and electronic management
		DOC (Diesel oxidation catalyst)	DOC (Diesel oxidation catalyst)	DOC (Diesel oxidation catalyst)
		101	101	101
		15.5	15.5	13.7
		45	45	45
		247.5	232.3	247.5
		4WD	4WD	4WD
		500/60-22.5	405/70-20	500/60-22.5
		1.4-1.4 cu in. Two gear pump	1.5-1.4 cu in. Two gear pump	
		12.1	13.2	13.2
		2,610	2,610	2,610
		18.2	18.2	18.2
		15.8	15.8	15.8
		Sealed. Hydraulic drive		
		Negative brake and electro-hydraulic release		



# DIMENSIONS

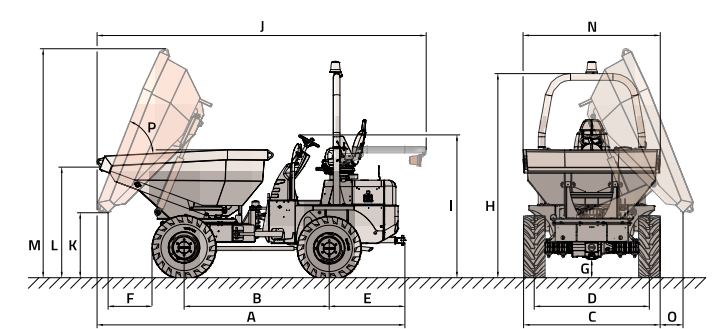
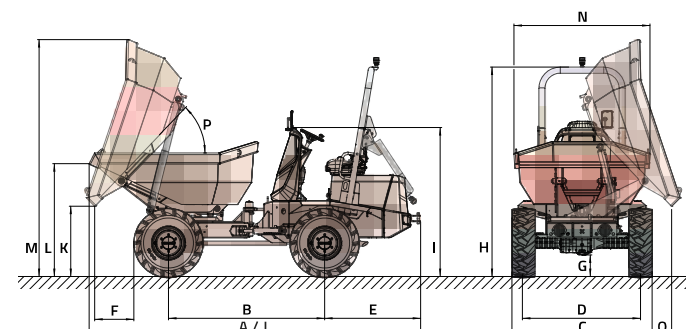
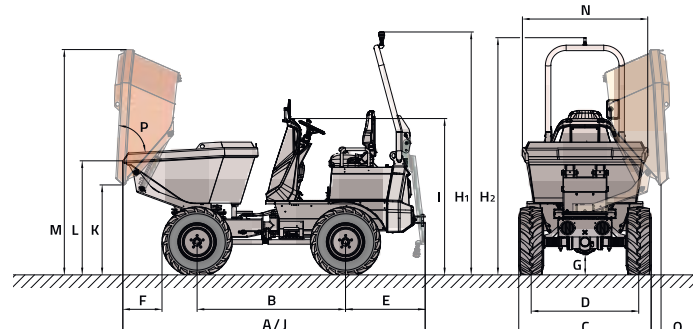
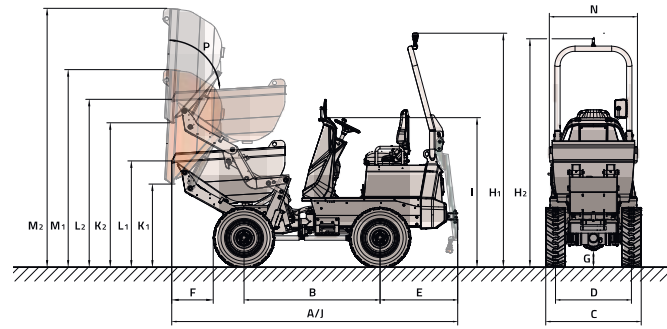
## DIMENSIONS

D101AEA

D151AEG

D201AHG / D301AHG

D350AHG / D450AHG

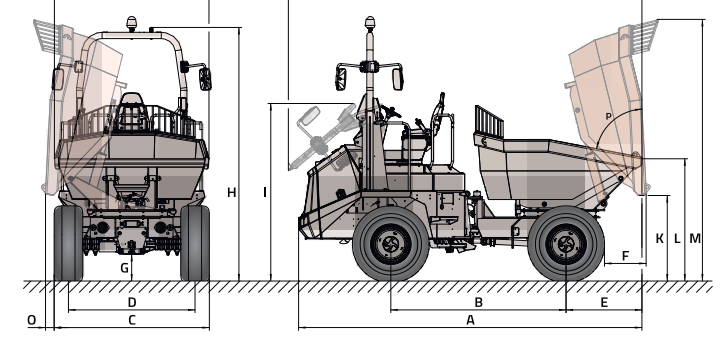
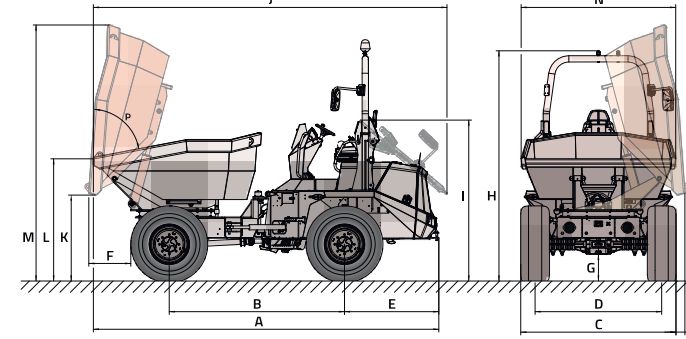
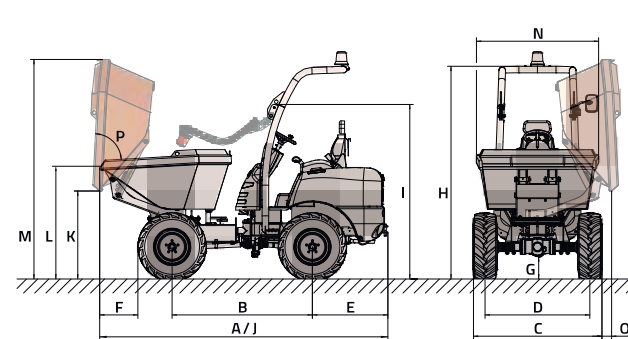
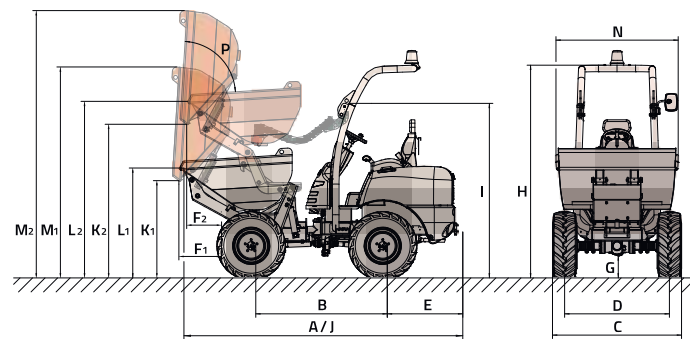


D100AHA / D120AHA / D150AHA

D100AHG / D120AHG / D150AHG

D601AHG / D601APG / D1001APG

DR601AHG / DR1001AHG



	D101AEA	D101AEA COMPACT		D151AEG	D100AHA		D100AHA COMPACT		D100AHG	D120AHA	D120AHG	D150AHA	
<b>DIMENSIONS (in)</b>													
A	128.3	128.3		132.3	126	126	126	126	126	126	126	126	126
B	61	61		65	59.1	59.1	59.1	59.1	59.1	59.1	59.1	59.1	59.1
C	42.6	38.5	39	57.9	43.3	39	43.3	47.6	47.6	47.6	47.6	58.3	58.3
D	34	32		47	34.1	32.1	34.1	36.4	36.4	36.4	36.4	47	47
E	34.8	34.8		34.8	33.9	33.9	33.9	33.9	33.9	33.9	33.9	33.9	33.9
F	19.5	20.9		18.1	19.7	18.1	21.5	19.9	19.7	18.1	16.5	18.1	16.5
G	7.3	5.6		8.7	8.3	6.7	8.3	9.8	8.3	9.8	9.8	9.8	9.8
H	105.2	102.9	103.9	101.5	106.8	104.5	94.5	92.9	94.5	96.1	96.1	96.1	96.1
I	67.4	66.1		69	77.2	75.6	77.2	78.7	77.2	78.7	78.7	78.7	78.7
J	128.3	128.3		132.3	126	126	126	126	126	126	126	126	126
K	36.9	64.5	34.9	62.5	38.8	37.4	67.3	35.8	65.7	37.4	39	68.9	39
L	47.8	75.3	45.8	73.3	49.5	48.4	78	46.5	76.4	48.4	50	79.5	50
M	88.9	116.4	87.5	115.1	99.2	88.6	118.5	87	116.9	92.5	90.6	120.1	90.6
N	39.4	39.4		55.1	39.4	39.4	39.4	47.2	47.2	47.2	47.2	55.1	55.1
O	-	-		5	-	-	-	-	12.2	-	10.2	-	-
<b>DIMENSIONS (°)</b>													
P	83	83		83	83	83	83	83	83	83	83	83	83

	D150AHG	D201AHG	D301AHG	D350AHG	D450AHG	D601AHG	D601APG	D1001APG	DR601AHG	DR1001AHG
A	129.9	157.3	163	164.2	172.4	193.3	193.3	197.6	193.3	197.6
B	63	74	76.8	77.2	77.2	98	98	105.9	98	105.9
C	58.3	59	68.9	72.4	73.2	87	87	94.9	87	94.9
D	47	48.6	57.5	61.2	61.2	70.9	70.9	75.6	70.9	75.6
E	33.9	47.2	47.2	40.4	40.4	52.8	52.8	52.8	42.5	39
F	18.1	18.9	19.3	23.6	30.5	22.8	22.8	19.1	22.8	19.1
G	9.8	9.4	10.2	10.2	12.2	15	15	16.1	15	16.1
H	96.1	100.8	102.5	109.1	111	129.1 (122.4*)	129.1 (122.4*)	143.3 (133.1*)	142.1 (131.9*)	143.3 (133.1*)
I	78.7	71	72.8	76.4	82.7	90.2	90.2	100.8	99.6	100.8
J	129.9	157.3	163	175.2	183.5	198	198	202.4	198	202.4
K	39.4	36.8	34	34.3	28.9	48	48	49.6	48	49.6
L	50.8	51.4	55.9	58.7	64.5	68.5	68.5	71.7	68.5	71.7
M	98.4	114.5	116.1	121.7	125.6	143.3	143.3	150.8	146.5	155.1
N	55.1	58.2	66.9	72.8	73.6	86.6	86.6	91.7	86.6	91.7
O	5.3	10.2	9.8	12.2	20.5	4.3	4.3	6.1	4.3	6.1
P	83	49	46.5	65	65	75	75	75	75	75

\* With closed cab.



# EQUIPMENT

	D101AEA / COMPACT	D151AEG	D100AHA / AHG	D120AHA / AHG	D150AHA / AHG	D201AHG	D301AHG	D350AHG	D450AHG	D601AHG	D601APG	D1001APG	DR 601AHG	DR1001AHG
<b>DRIVING POSITION</b>														
Front folding ROPS protective structure			●	●	●									
Rear folding ROPS protective structure	●	●	○	○	○	●	●	●	●	●	●	●	●	●
Closed ROPS/FOPS cab with heating										○	○	○	○	○
Closed ROPS/FOPS cab with heating and air conditioning										○	○	○	○	○
<b>SAFETY</b>														
Seat belt with fasten sensor	●	●				●	●	●	●	●	●	●	●	●
Seat with operator's presence sensor	●	●				●	●	●	●	●	●	●	●	●
Rotating beacon			●	●	●			●	●					
LED rotating beacon	●	●				●	●			●	●	●	●	●
LED green rotating beacon	○	○				○	○			○	○	○	○	○
Acoustic warning for reverse gear	●	●	●	●	●	●	●	●	●	●	●	●	●	●
Emergency stop	●	●	○	○	○	○	○			●	●	●	●	●
Anti-vandal security system	●	●	●	●	●	●	●	●	●	●	●	●	●	●
Hill Holder - hill-start assist	●	●								●			●	●
Negative brake	●	●				●	●	●	●	●	●	●	●	●
Full visibility camera on the skip side										●	●	●	●	●
Full visibility camera on the counterweight side and proximity sensors										○	○	○	○	○
Full visibility cameras on the skip and counterweight sides and proximity sensors						○	○	○	○					
Protective grille on the skip												○	●	●
Reflective decals on rear body			○	○	○	○	○	○	○	○	○	○	○	○
<b>LIGHTING AND DRIVING</b>														
Road lights	○	○	○	○	○	○	○	○	○	○	○	○	○	○
Front LED working lights	○	○				○	○							
Rear-view mirror	●	●	●	●	●	●	●	●	●	●	●	●	●	●
Second rear-view mirror	○	○				○	○			○	○	○	●	●
Third rear-view mirror										○	○	○	○	○
Adhesive plate 12.42 mph	○	○	○	○	○	○	○	○	○					
<b>COMFORT</b>														
Adjustable ergonomic seat	●	●	●	●	●	●	●	●	●	●	●	●	●	●
Extra comfort seat, fully adjustable			○	○	○									
All-in-one joystick	●	●	●	●	●	●	●	●	●	●	●	●	●	●
<b>ADVANCED EQUIPMENT</b>														
Electric transmission	●	●												
Hydrostatic transmission			●	●	●	●	●	●	●					
Hydrostatic transmission with electronic control										●			●	●
Limited-slip differential on both axles										●	●	●	●	●
ECO Mode system										●			●	●
Smart Stop system										○	○	○	○	○
Digital display	●	●								●	●	●	●	●
Advanced support	●	●												
AUSAnow fleet manager	○	○	○	○	○	○	○	○	○	○	○	○	○	○
Additional battery for longer range (+3.1 kWh)	○	○												

	D101AEA / COMPACT	D151AEG	D100AHA / AHG	D120AHA / AHG	D150AHA / AHG	D201AHG	D301AHG	D350AHG	D450AHG	D601AHG	D601APG	D1001 APG	DR601AHG	DR1001AHG
<b>ACCESSORIES</b>														
Metal engine cover	●	●	○	○	○	●	●							
Front mudguards	○	○				○	○	○	○	○	○	○	○	○
Reverse gear acoustic warning disable switch			○	○	○	○	○	○	○	○	○	○	○	○
White noise acoustic warning for reverse gear			○	○	○	○	○	○	○	○	○	○	○	○
Battery master switch	●	●				●	●	●	●	●	●	●	●	●
Car radio										○	○	○	○	○
Waterproof document holder	○	○	○	○	○	○	○	○	○	○	○	○	○	○
Water separator diesel filter						○	○	●	●					
Air filter with cyclone pre-filter						○	○	○	○					
Biodegradable hydraulic oil	○	○	○	○	○	○	○	○	○				○	○
Rockinger hitch								○	○					
Rockinger hitch with power socket										○	○	○	○	○
Towing ball and pintle hitch	○	○				○	○	○	○	○	○			
Towing ball and pintle hitch with power socket			○	○	○									
Power socket for the trailer	○	○				○	○	○	○	○	○	○	○	○
<b>TYRES</b>														
Narrow tyres 10.0/75-15.3"										○				
Turf tyres 400/60 -15.5"										○	○	○		
Turf tyres 400/70-20"										○	○		○	
<b>SPARE PARTS</b>														
1,000 h maintenance kit	○	○	○	○	○	○	○	○	○	○	○	○	○	○
Spare wheel	○	○	○	○	○	○	○	○	○	○	○	○	○	○

● Standard ○ Optional



**AUSA US CORP**  
**7635 Sandlapper Pkwy, Unit 100**  
**North Charleston SC 29420**  
**USA**  
**Tel. +1 (917) 328 0770**  
**[ausa.us@ausa.com](mailto:ausa.us@ausa.com)**  
**[www.ausa.com](http://www.ausa.com)**

AUSA Center: +34 93 874 7311 - [ausa@ausa.com](mailto:ausa@ausa.com)  
AUSA Spain: +34 91 669 00 06 [ausa.madrid@ausa.com](mailto:ausa.madrid@ausa.com)  
AUSA France: +33 (0) 4 68 54 38 97 - [ausa.france@ausa.com](mailto:ausa.france@ausa.com)  
AUSA U.K.: +44 (0)7703 60 9009 - [ausa.uk@ausa.com](mailto:ausa.uk@ausa.com)  
AUSA Central Europe: +49 2384 9415725 - [kontakt@ausa.com](mailto:kontakt@ausa.com)  
AUSA U.S.: +1 (310) 426 2305 - [ausa.us@ausa.com](mailto:ausa.us@ausa.com)  
AUSA CHINA: +86 10 8598 7386 - [ausa.china@ausa.com](mailto:ausa.china@ausa.com)

MKCAT.AD.US.EN02

Distributor's stamp



[www.ausa.com](http://www.ausa.com)