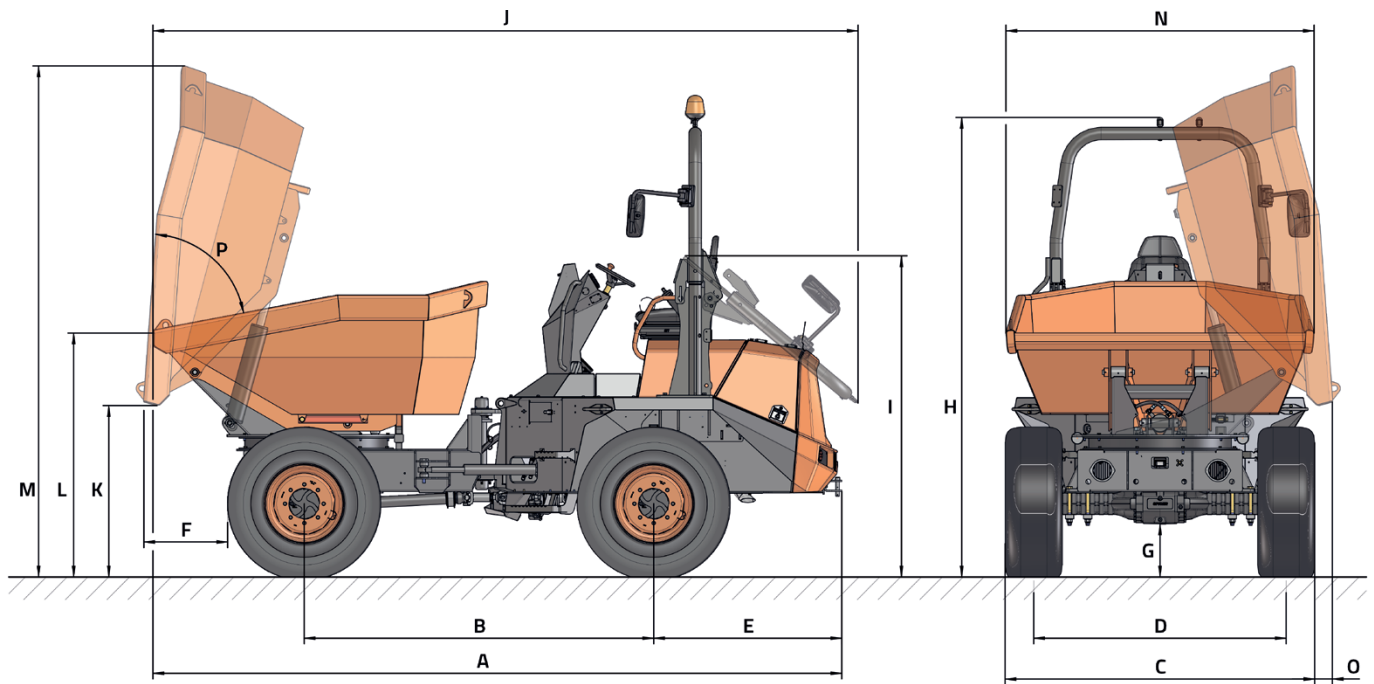




TECHNICAL DATA

GENERAL		D 601 AHG
Unloading system	-	Rotating
Load capacity	lb	13,200
Chassis	-	Articulated and oscillating
Water hopper capacity	cu yd	2.18
Level hopper capacity	cu yd	3.21
Heaped hopper capacity	cu yd	4.12
Empty weight	lb	9,898
Transmission	-	Hydrostatic
ENGINE		
Brand	-	DEUTZ
Model	-	TD3.6 L4
Power	hp	74.3
Operating speed	rpm	2,200
Torque	N·m@rpm	340@1500
No. of cylinders	-	4
Emissions	-	Tier 4f, Stage V
Injection	-	Common Rail
Exhaust aftertreatment	-	DOC (Diesel oxidation catalyst)
Noise	dB(A)	101
DRIVING		
Max. speed	mph	15.5
Maximum gradient	%	45
External turning radius	in	232
Traction	-	4x4
Tyres	-	405/70-20"
HYDRAULIC SYSTEM		
Hydraulic circuit	-	1.52 cu in gear pump
Flow rate	gal/min	13.2
Working pressure	psi	2,611
TANK CAPACITY		
Fuel	gal	18.2
Hydraulic system	gal	15.8
BRAKES		
Service	-	Sealed brakes with multiple discs in oil. Hydraulic drive
Parking	-	Negative. Electrohydraulic disengage

DIMENSIONS



DIMENSIONS (in)	D 601 AHG
A	193.3
B	98.0
C	87.0
D	70.9
E	52.8
F	22.8
G	15.0
H	129.1 (122.4*)
I	90.2
J	198.0
K	48.0
L	68.5
M	143.3
N	86.6
O	4.3
DIMENSIONS (°)	
P	75

* With closed cab



www.ausa.com

Products are subject to modifications without prior notice. Images throughout the spec sheet may refer to non-standard machines or non-available configurations depending on models.

AUSA's logo and corporate identity are property of the Company, they cannot be used without authorization.

MKCAT.D601A.US.0921