



D 100 AHA
D 100 AHG

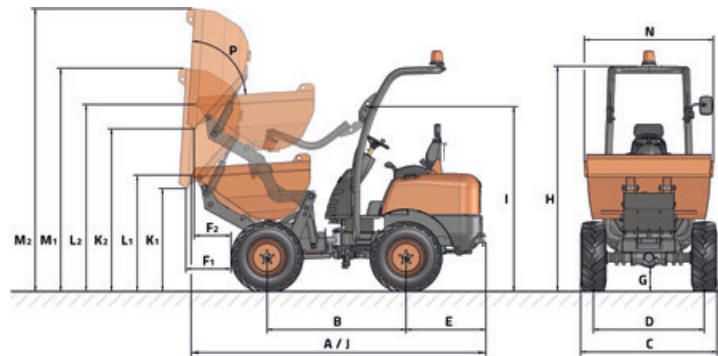


TECHNICAL DATA

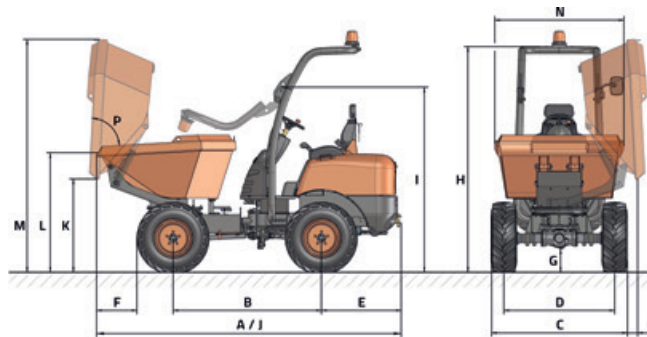
GENERAL		D100 AHA	D100 AHA COMPACT	D 100 AHG
Unloading system	-	High	High	Rotating
Load capacity	lb	2,200	2,200	2,200
Chassis	-	Articulated and oscillating	Articulated and oscillating	Articulated and oscillating
Water hopper capacity	cu yd	0.45	0.45	0.42
Level hopper capacity	cu yd	0.52	0.52	0.51
Heaped hopper capacity	cu yd	0.74	0.74	0.71
Empty weight	lb	2,866	2,866	2,866
Transmission	-	Hydrostatic	Hydrostatic	Hydrostatic
ENGINE				
Brand	-	KUBOTA	KUBOTA	KUBOTA
Model	-	D1105-E4B	D1105-E4B	D1105-E4B
Power	hp	20.9	20.9	20.9
Operating speed	rpm	2,400	2,400	2,400
Torque	N-m@rpm	71.4@1600	71.4@1600	71.4@1600
No. of cylinders	-	3	3	3
Emissions	-	EPA Tier 4, Stage V	EPA Tier 4, Stage V	EPA Tier 4, Stage V
Noise	dB(A)	101	101	101
DRIVING				
Max. speed	mph	9.3	9.3	9.3
Maximum gradient	%	38	38	38
External turning radius	in	120.5	120.5	119.5
Traction	-	4x4	4x4	4x4
Tyres	-	27x8.5-15"	6.5/80-12	27x8.5-15"
HYDRAULIC SYSTEM				
Main pump	-	0.49 cu gear pump	0.49 cu gear pump	0.49 cu gear pump
Flow rate	gal/min	4.56	4.56	4.56
Working pressure	psi	2,610	2,610	2,610
TANK CAPACITY				
Fuel	gal	6.1	6.1	6.1
Hydraulic system	gal	5.6	5.6	5.6
BRAKES				
Service	-	Sealed brakes. Mechanical drive	Sealed brakes. Mechanical drive	Sealed brakes. Mechanical drive
Parking	-	Sealed brakes. Mechanical drive	Sealed brakes. Mechanical drive	Sealed brakes. Mechanical drive

DIMENSIONS

D 100 AHA COMPACT / D 100 AHA



D 100 AHG



DIMENSIONS (in)	D 100 AHA COMPACT		D 100 AHA		D 100 AHG
A	126.0		126.0		126.0
B	59.1		59.1		59.1
C	38.6		38.6		43.3
D	32.1		32.1		34.1
E	33.9		33.9		33.9
F	21.5	19.9	19.7	18.1	19.7
G	6.7		6.7		8.3
H	92.9		92.9		94.5
I	75.6		75.6		77.2
J	126.0		126.0		126.0
K	35.8	65.7	37.4	67.3	37.4
L	46.5	76.4	48.4	78.0	48.4
M	87.0	116.9	88.6	118.5	92.5
N	39.4		39.4		39.4
O	-		-		12.2
DIMENSIONS (°)					
P	83		83		83

1 ▲ | ▲ 2

1 ▲ | ▲ 2



www.ausa.com

Products are subject to modifications without prior notice. Images throughout the spec sheet may refer to non-standard machines or non-available configurations depending on models.

AUSA's logo and corporate identity are property of the Company, they cannot be used without authorization.